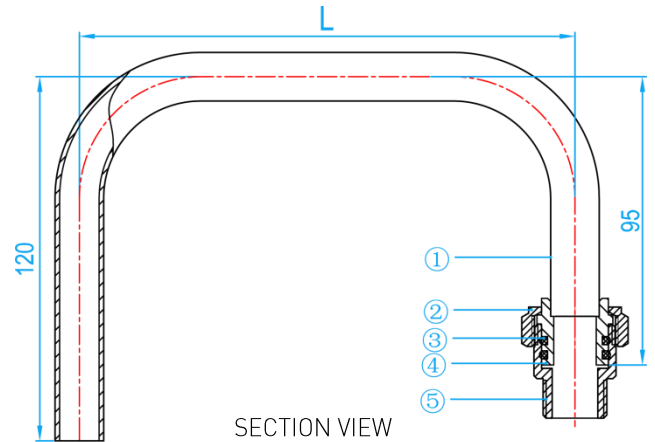


# SWING SPOUT



\* (L) Length could be customized.

STANDARD SPECIFICATIONS	
Nominal pressure	1.0MPa
Working Medium	Water
Working Temperature	$t \leq 90\text{ }^{\circ}\text{C}$

COMPONENT PARTS		
ITEM	PARTS	MATERIAL
1	Pipe Body	AISI304
2	Lock Nut	DZR Brass
3	O-Ring	NBR
4	Neck Component	DZR Brass
5	Connector	DZR Brass

## SPECIFICATIONS

SKU	SIZE (inch)	L (mm)	WEIGHT (Kg)
NFBSS100	1/2" BSP	100	0.270
NFBSS150	1/2" BSP	150	0.290
NFBSS200	1/2" BSP	200	0.310
NFBSS250	1/2" BSP	250	0.340
NFBSS300	1/2" BSP	300	0.360
NFBSS350	1/2" BSP	350	0.390
NFBSS400	1/2" BSP	400	0.415
NFBSS450	1/2" BSP	450	0.440
NFBSS500	1/2" BSP	500	0.470
NFBSS550	1/2" BSP	550	0.490